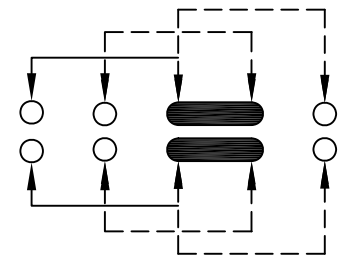
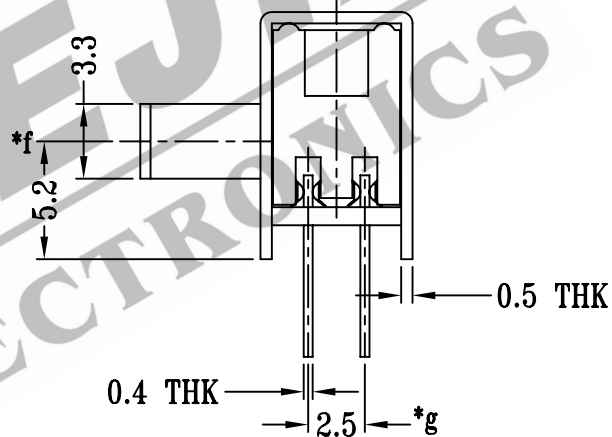
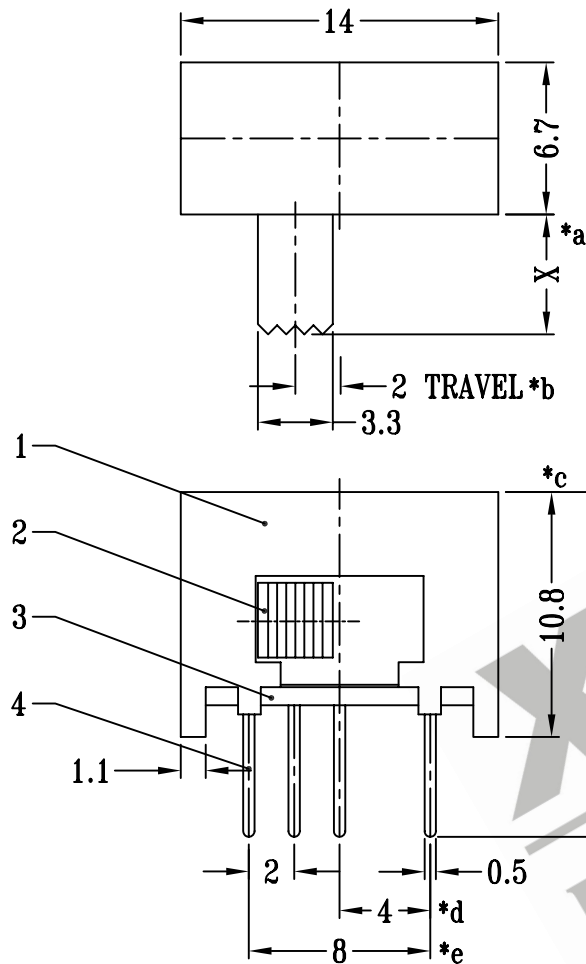
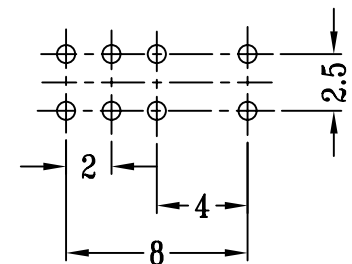


CAD FILE:



SCHMATIC(SHORTING)



P.C.B LAYOUT

注:带'*'表示关键尺寸(7个)

8					TOLERANCE UNLESS SPECIFIED	SHENZHEN XIEJIA ELECTRONICS CO.,LTD.				
7	STEEL BALL	STEEL	1	NATURAL	WITHIN: 1.5±0.1mm OVER : 1.5±0.2mm	ISSUE	DATE	DESCRIPTIONS		APPD.
6	SPRING	STEEL WIRE	1	TEMPER		TITLE : HORIZONTAL SLIDE SWITCH	UNIT : MM	DRWG NO.: XJ-DR-SK23D21-00		
5	CONTACT CLIP	PBS STRIP	2	Ag PLATED	MODEL: SK-23D21	SCALE: 3:1	DWN.	ZHOUYU	2001-6-26	
4	TERMINAL	BRASS STRIP	8	Ag PLATED OVER Ni PLATED	ALL MATERIALS MUST BE COMPLIANT TO ROHS	APPD.	CHK'D	FANGYING	2001-6-26	
3	BASE	PHENOLIC RESIN	1	NATURAL			KANGXINAN	2001-6-26		
2	KNOB	POM	1	BLACK						
1	FRAME	STEEL STRIP	1	Ni PLATED						
NO.	PART NAME	MATERIAL	Q'TY	FINISHING						